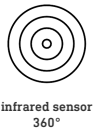


IS 3360 40m

COM1 - concealed, rd. black
 EAN 4007841 068554
 Article number 068554



infrared sensor
360°



max. 20 m

2000 W

2000 W max. (LED-ready)



IP20



2 - 1000 lux



5 sec - 15 min



manual override 4h



ideal 2,5 - 4 m

Teach

Teach mode



energy saving

Function description

Higher, further, faster. Infrared presence detector IS 3360 for indoors and out, ideal for watching over high spaces and large areas, such as multi-storey and underground car parks, installation height up to 4 m, 360° angle of coverage, reach 20 m max. (tangential), heavy-duty relay for high switching capacity. Available either in round or square surface-mounted and concealed version.

Technical specifications

Dimensions (Ø x H)	124 x 78 mm	LED lamps > 2 W < 8 W	300 W
With motion detector	Yes	LED lamps > 8 W	600 W
Manufacturer's Warranty	5 years	Capacitive load in µF	176 µF
Settings via	Remote control, Potentiometers, Smart Remote	Sensor Technology	Passive infrared
With remote control	No	Mounting height	2,50 – 4,00 m
Version	COM1 - concealed, rd. black	Mounting height max.	4,00 m
PU1, EAN	4007841068554	Optimum mounting height	2,8 m
Type	Motion and Presence Detector	Detection angle	360 °
Application, place	Indoors	Angle of aperture	180 °
Application, room	production facilities, recreation room, changing room, function room / ancillary room, sports hall, reception / lobby, stairwell, WC / washroom, multi-storey / underground car park, warehouse, Indoors	Sneak-by guard	Yes
Colour	black	Capability of masking out individual segments	Yes
Colour, RAL	9005	Electronic scalability	No
		Mechanical scalability	No
		Reach, radial	Ø 8 m (50 m ²)
		Reach, tangential	Ø 40 m (1257 m ²)
		Reach, presence	Ø 3 m (7 m ²)

IS 3360 40m

COM1 - concealed, rd. black
 EAN 4007841 068554
 Article number 068554



Technical specifications

Includes corner wall mount	No
Installation site	ceiling
Installation	Concealed wiring, Ceiling
IP-rating	IP20
Ambient temperature	-20 – 50 °C
Material	Plastic
Mains power supply	220 – 240 V / 50 – 60 Hz
Switching output 1, resistive	2000 W
Switching output 1, number of LEDs / fluorescent lamps	8 pcs.
Fluorescent lamps, electronic ballast	1500 W
Fluorescent lamps, uncorrected	1000 VA
Fluorescent lamps, series-corrected	400 VA
Fluorescent lamps, parallel-corrected	400 VA
Switching output 1, low-voltage halogen lamps	2000 VA
LED lamps < 2 W	100 W

Switching zones	1416 switching zones
Functions	Normal / test mode, Manual ON / ON-OFF
Twilight setting	2 – 1000 lx
Time setting	5 s – 15 Min.
Basic light level function	No
Main light adjustable	No
Twilight setting TEACH	Yes
Constant-lighting control	No
Interconnection	Yes
Type of interconnection	Master/master
Interconnection via	Cable

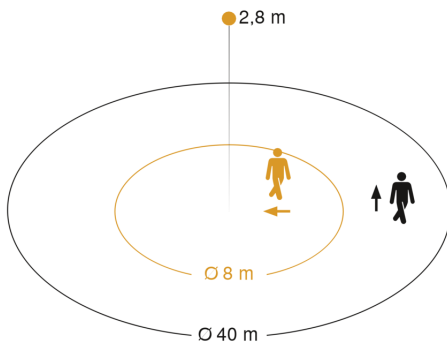
Accessories

EAN 4007841 559410	Service remote control RC8
EAN 4007841 009151	Remote control Smart Remote

IS 3360 40m

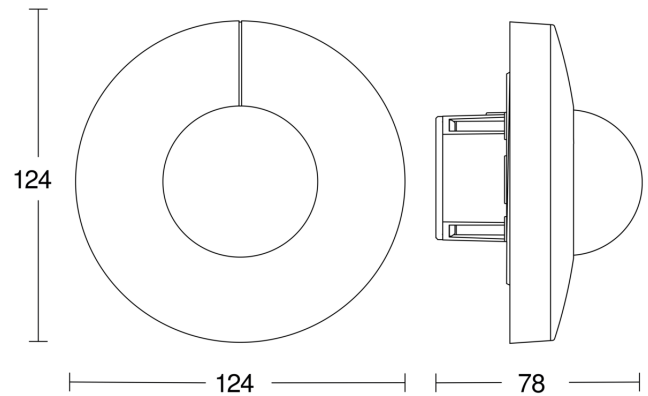
COM1 - concealed, rd. black
EAN 4007841 068554
Article number 068554

Detection Zone

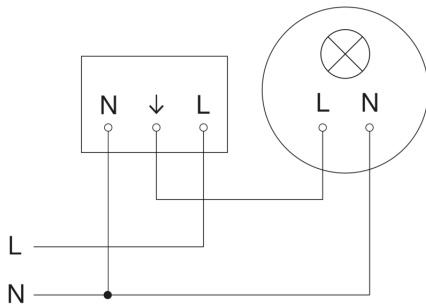


Mögliche Montagehöhe: 2,50 m – 4,00 m
Orange: radial
Schwarz: tangential

Dimension Drawing



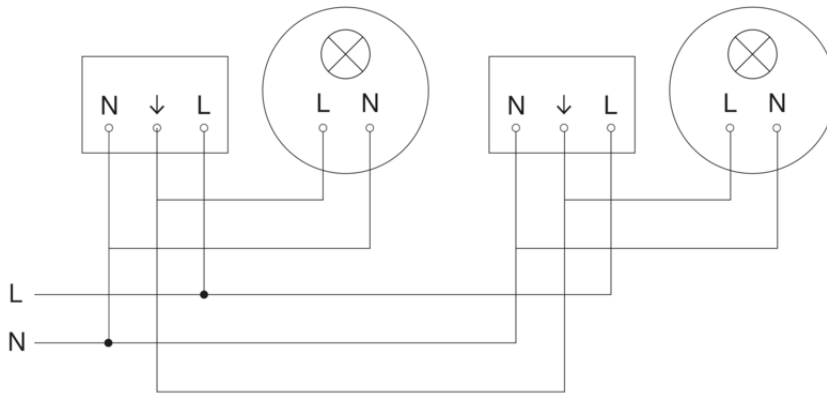
Circuit diagram



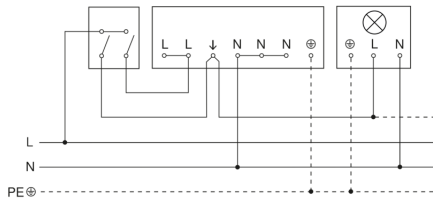
IS 3360 40m

COM1 - concealed, rd. black
EAN 4007841 068554
Article number 068554

Circuit diagram for interconnecting several sensors



Connection using two-circuit switch for manual and automatic operation



Circuit diagram Connection via a changeover switch for continuous and automatic operation

